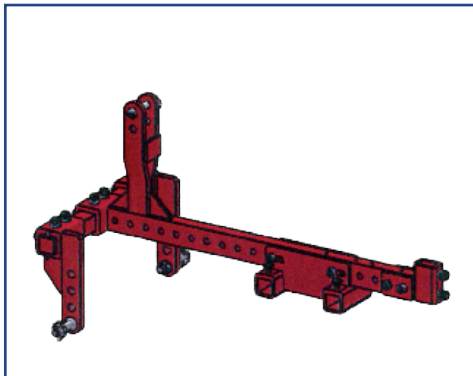


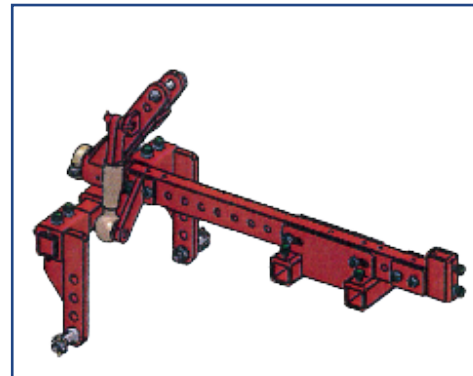
# HYDRO 40 & 68 - BOISSELET ACCESSORIES



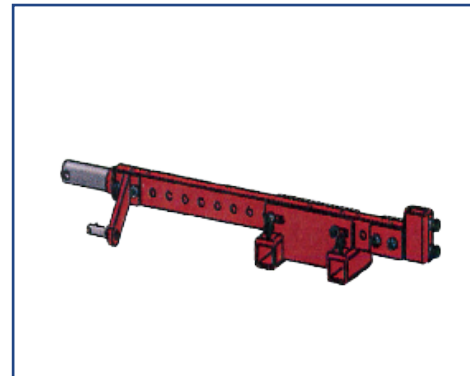
## Mounting - Frames « close planted vines »



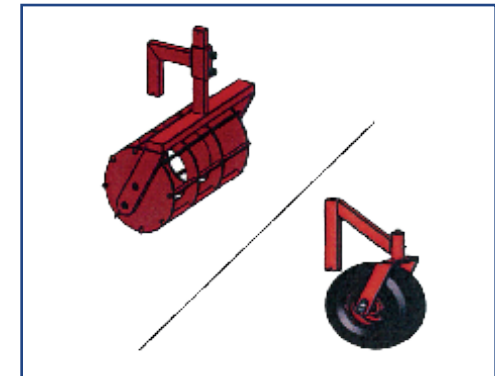
Non-orientable 3-point frame  
Ref : 02474-3



Adjustable 3-point orientable frame  
Ref : 02474-4

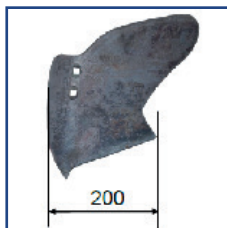


Bare toolbar  
Ref : 02465



Roller or Wheel  
Ref : 07385 or 06602-3

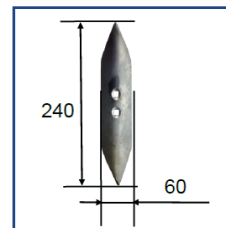
## PLOWS/BLADES



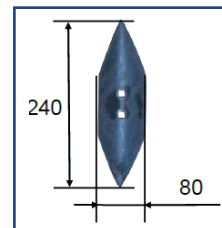
Beginner skimmer  
adaptable



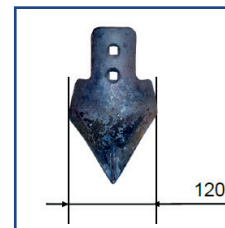
Plant shaver



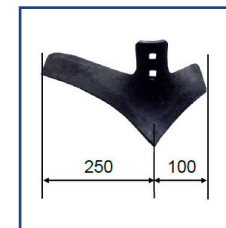
Narrow oval claw



Oval claw



Bridge

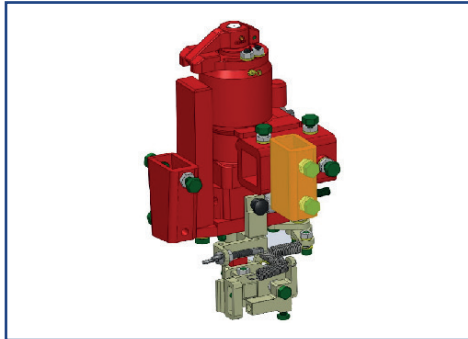


Intercepts triangle  
uneven



Hearts

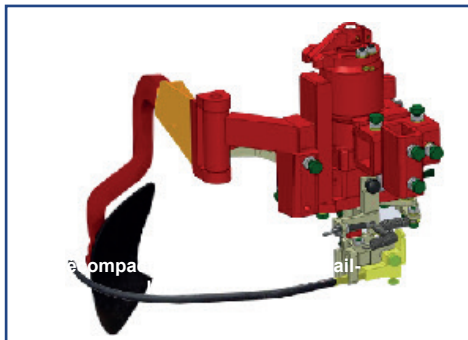
## Bio-Matic range - Static Intervine tools



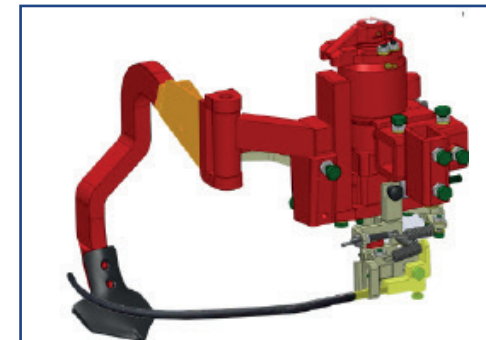
ServoMotor \*



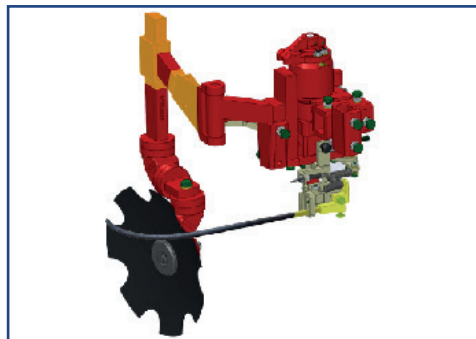
Cutmatic - Ref:07501HY Simple cutting of weed roots below the surface.



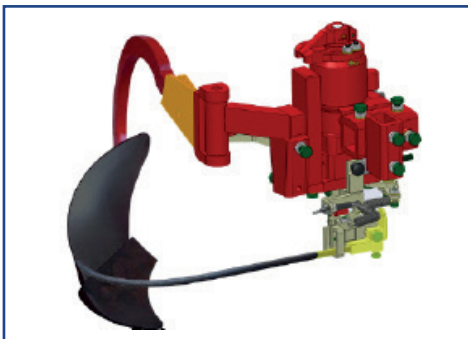
Fleurimatic- Action to remove the small clod of earth formed at the foot of a plant.



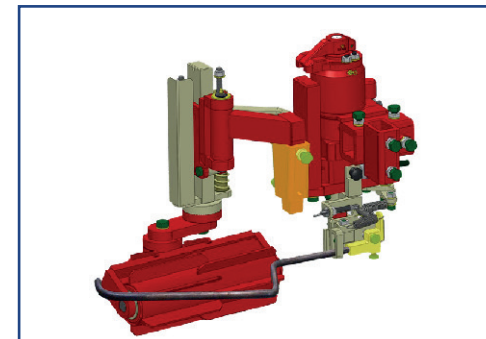
Juramatic - Cultivating the ground as close as possible to vines.



Valmatic  
Tool to unpack and loosen the planting strip



Décavatic \*\*  
Preparation tool



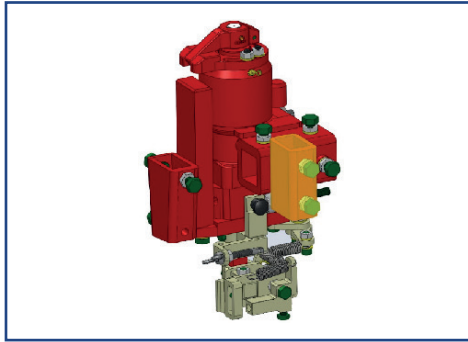
Facamatic  
Tool for rolling the grass

\* The ServoMotor is a support which allows the adaptation of intervine tools (work between plants) designed on the basis of a torque amplifier

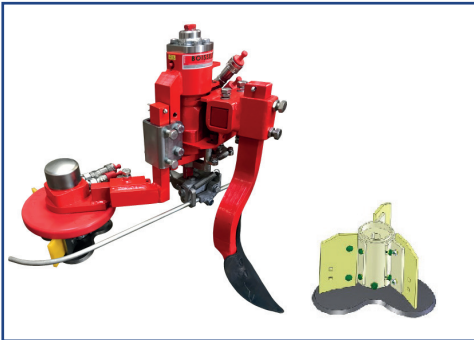
\*\* Décavatic equipped with a system which transforms the rotary movement of the ServoMotor into movement parallel to the row of plantation

# HYDRO 40 & 68 - BOISSELET ACCESSORIES

## Bio-Matic range - Rotating Intervine tools (hydraulic motor)



ServoMotor \*



Petalmatic +  
Demoulding tool



Starmatic  
Hoeing tool

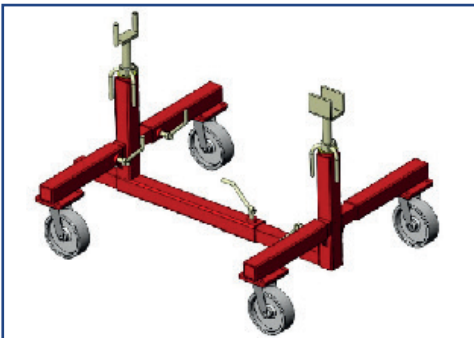


Brosmatic  
Weed control tool

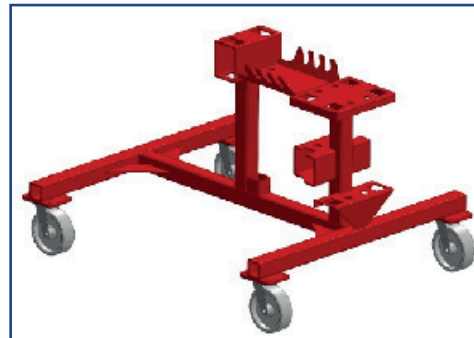


Filmatic  
Mowing tool

## Removal Trolleys

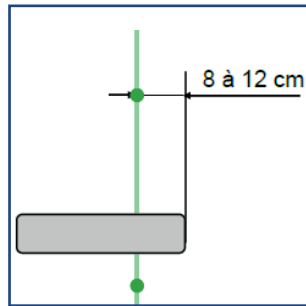


Tool bar trolley

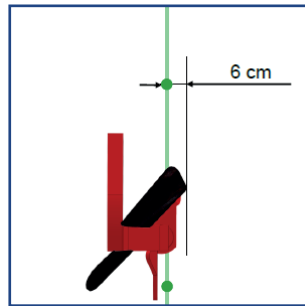


Intervine tool trolley

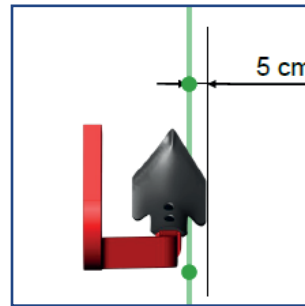
## Static range



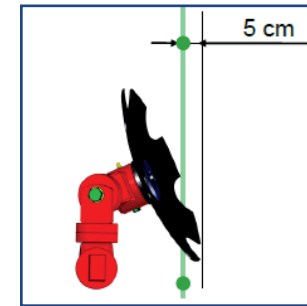
Cutmatic



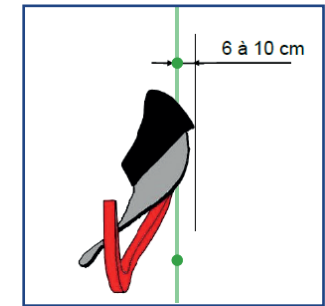
Fleurimatic



Juramatic

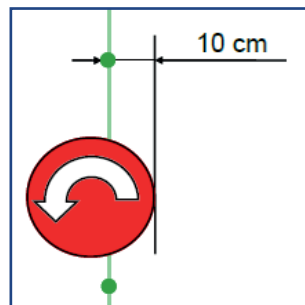


Valmatic

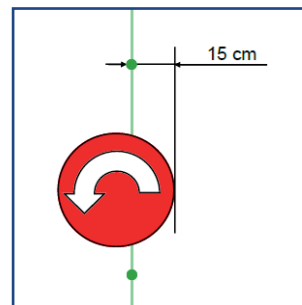


Décavatic

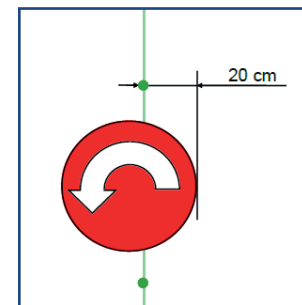
## Powered rotating tool



∅ 250

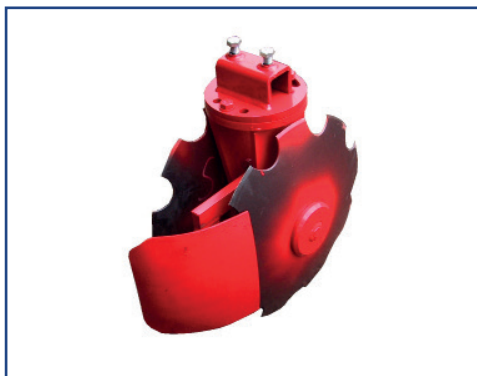


∅ 350

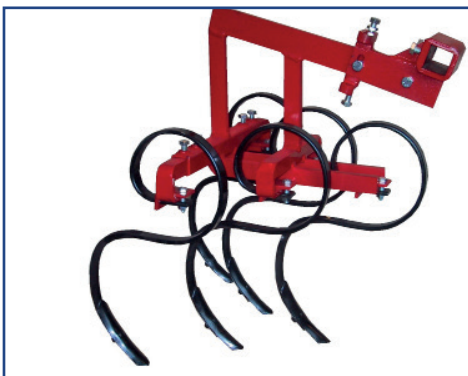


∅ 450

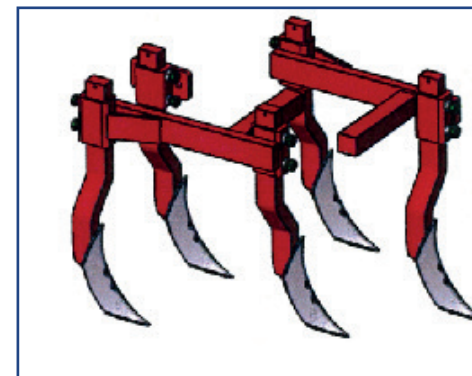
## Traditional Tools



2 disc mini cultivator



5 tooth claw  
Ref : 250100



Fixed frame equipment complete  
with 5 claws - Ref : 250200

## Hydraulic Tools - Mowers, Auger & Spade



Mower midrow- Ref : O7391



Mower intervine



Auger Tap 300 (vine removal)  
Ref : O7501HY



Rotary digger type BE54  
Ref : O9061

# HYDRO 40 & 68 - AMOS INDUSTRIE ACCESSORIES



Transport tray - Ref :131363197



Powder unit- Ref :MTH1002



Spray unit DL - Ref :DLEVO2/A



Fertiliser/Seeder SL



Leaf Remover A.Twin - Ref :TWIN-EL FS

**VINVICTA**  
SERVICES

Authorised Dealership  
1300 360 353  
[www.vinvicta.com](http://www.vinvicta.com)  
[info@vinvicta.com](mailto:info@vinvicta.com)